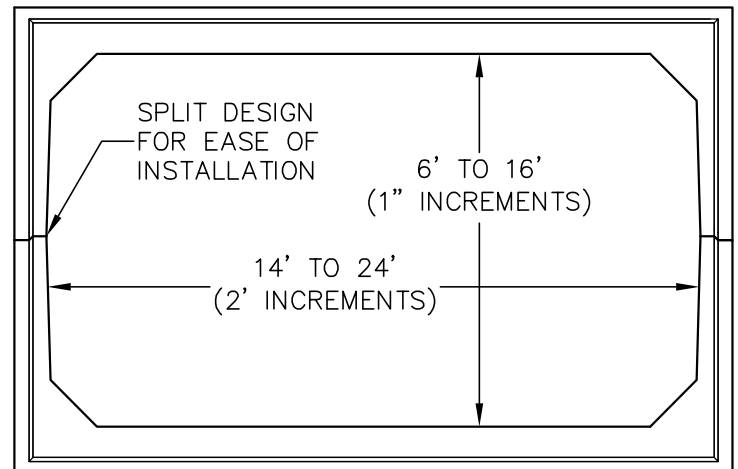
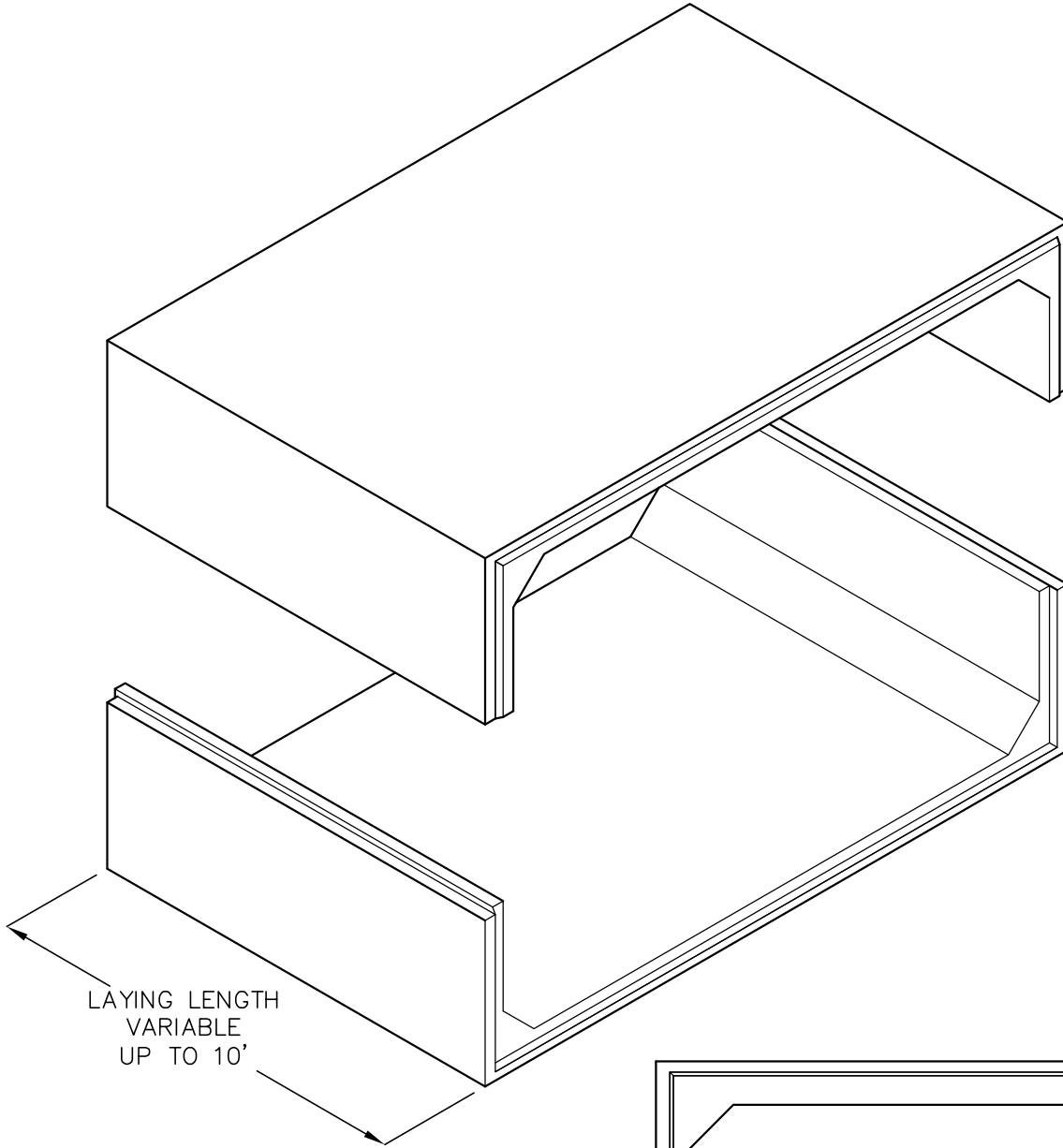


# BOX CULVERT

## 14' TO 24' SPANS

### TYPE II - CANTILEVER WALL DESIGN



STANDARD DESIGNS MEET AASHTO HS-20 TRAFFIC LOADS IN ACCORDANCE WITH ASTM C1433, ACI 318 AND AASHTO SPECIFICATIONS.

DESIGNS BASED ON SPECIAL LOADINGS OR DEPTHS OF BURY ARE AVAILABLE ON REQUEST. CUSTOM COMPONENTS CAN BE ENGINEERED WITH OPENINGS, DOWELS, AND SKEWS. CUSTOM HEIGHTS AVAILABLE IN 1" INCREMENTS.

FOR COMPLETE DESIGN AND PRODUCT INFORMATION CONTACT JENSEN PRECAST.

ENDS CAN BE SKEWED TO ALLOW FOR CURVES IN CULVERT RUN- NO NEED FOR SECONDARY FILLER POUR.